

STRIPS “Z”

TYPE AL-Fe Z200 - AL-Fe Z300

Strips formed of hard aluminum foil 0,6mm thickness or steel foil 0,5mm-0,6mm thickness.

They are offered in the following width:



Type AL-Fe Z200 (200mm x 27mm height)



Type AL-Fe Z300 (300mm x 27mm height)

The one side of the strips creates an open gap of 10mm.

The referring type of aluminum strips can additionally be offered with perforation, whereas it can accept (in the back side) a specific black acoustic for a better sound-proof.

It can also accept glass wool, rock wool and any other heat insulating materials.

This type of false ceiling is offered in a variety of colors, as well as in aluminum mat mirror and aluminum gold mirror color.

It is susceptible to adaptation of Light Fittings, air grilles or ventilation grilles and it's practical from the option of concealing hydraulic-air conditioned and electrical installations.

It's time resistant, moisture resistant, anticancer, fireproof and handy.

In order to set the strips the required amount from the roof is 3cm height or more at any desired height.

APPLICATIONS

◇ COMMERCIAL CENTERS/MALLS

◇ AIRPORTS

◇ SHOPS

◇ CRUISE SHIPS

◇ HOSPITALS

◇ HOTELS

SUSPENSION MATERIALS & ACCESORIES OF STRIP CEILING

AL-Fe Z 200-Z 300

A) SUPPORTING BEAM OF STRIP CEILING – TYPE S 065

The supporting beam is consisted of galvanized iron foil of 0,60mm width, in a shape of an inverter rate “U” 4cm height or 2cm height in specific circumstances, when there is a roof height problem.

There is a perforation, along its surface, for hanging it from the ceiling, via the suspension (Wire Hanger), and the special tabs for holding the strips from it. The supporting beams are placed vertically above the strips with a distance of 1,20m between them.

B) WALL ANGLE - TYPE L - W

The wall angle is consisted of steel 0,5mm thick, in a shape of L30mm x 30mm or in a shape of W 20x20x20x20mm and it is used for keeping the strips in the wall and for the stylish finish of the roof.

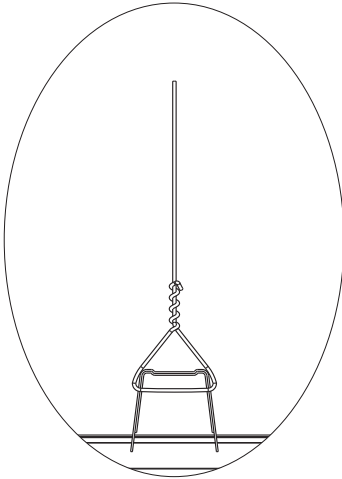
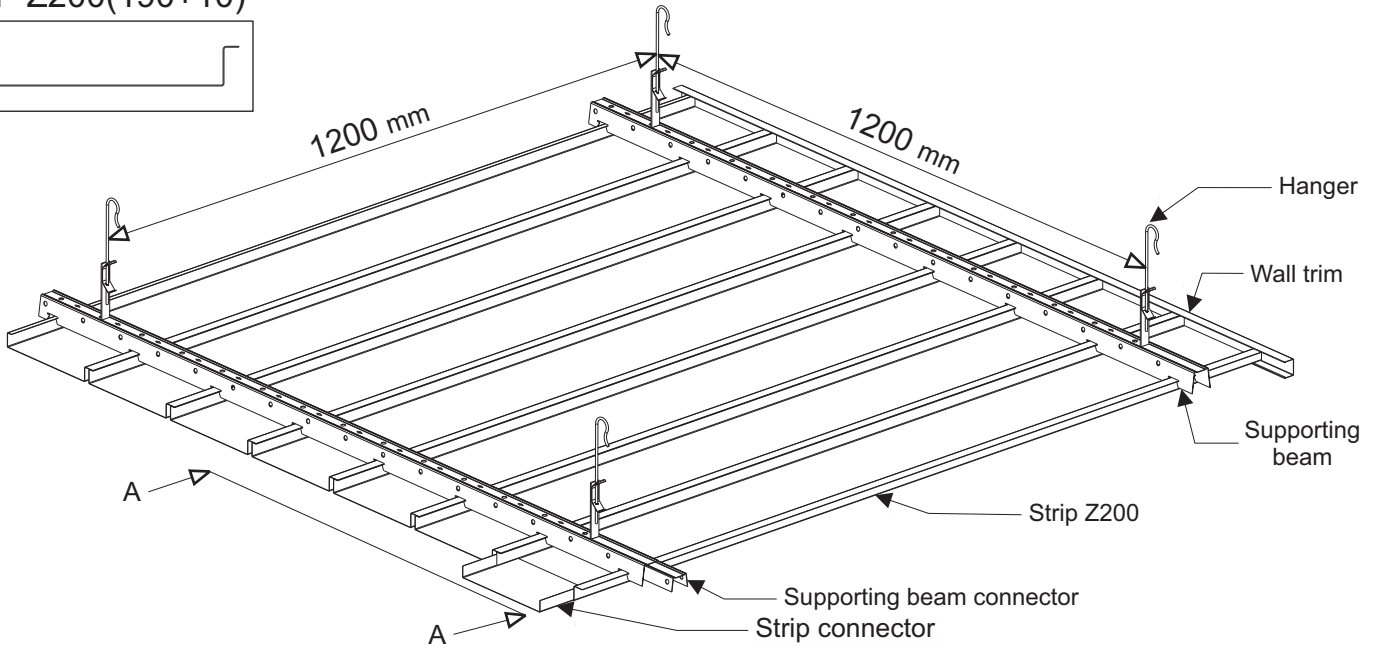
C) SUSPENSION MATERIALS OF STRIP CEILING – TYPE A-H

The suspension of false ceiling is being done by wire hangers, which are formed by steel of 3mm thick or 4mm thick, in any desired length and by adjustable hangers, which are formed by a thin steel foil for the adjustment of the ceiling.

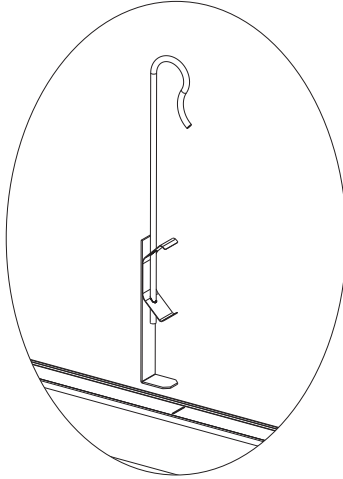
D) CONNECTOR FOR SUPPORTING BEAM – TYPE CS 200-300

Between strips, connectors can be used, which are consisted of aluminum foil, like the strip, properly configured for the connection of strips if it is necessary the extension of their lengths.

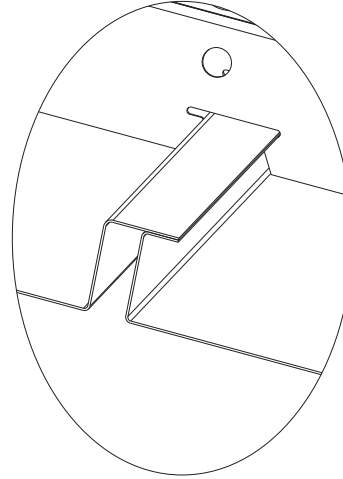
STRIP Z200(190+10)



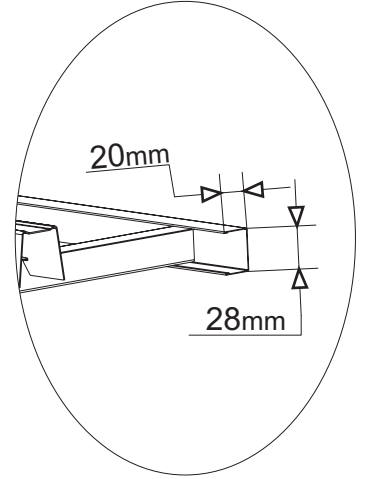
HANGER DETAIL OPTION 1:
PLAIN WIRE



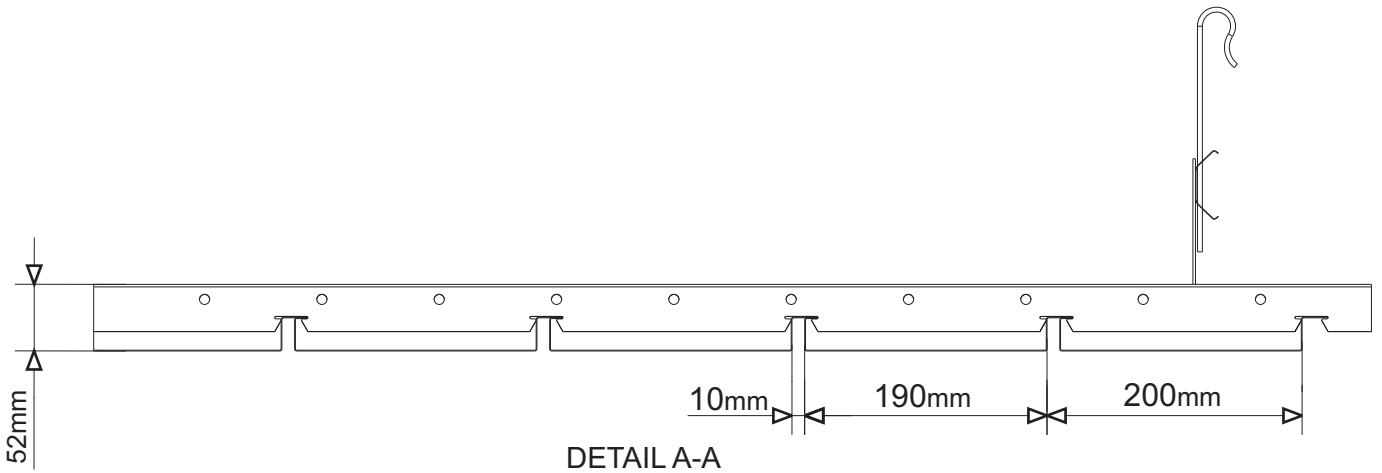
HANGER DETAIL OPTION 2:
SLOT-IN HANGER WITH
SPRING CLIP



ASSEMBLY DETAIL



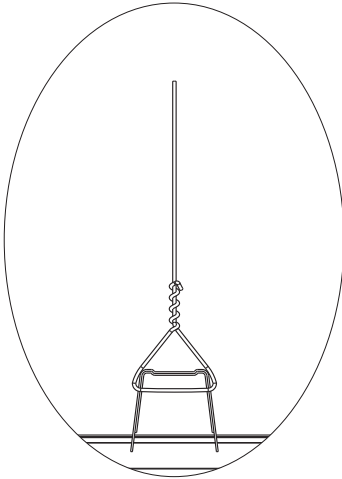
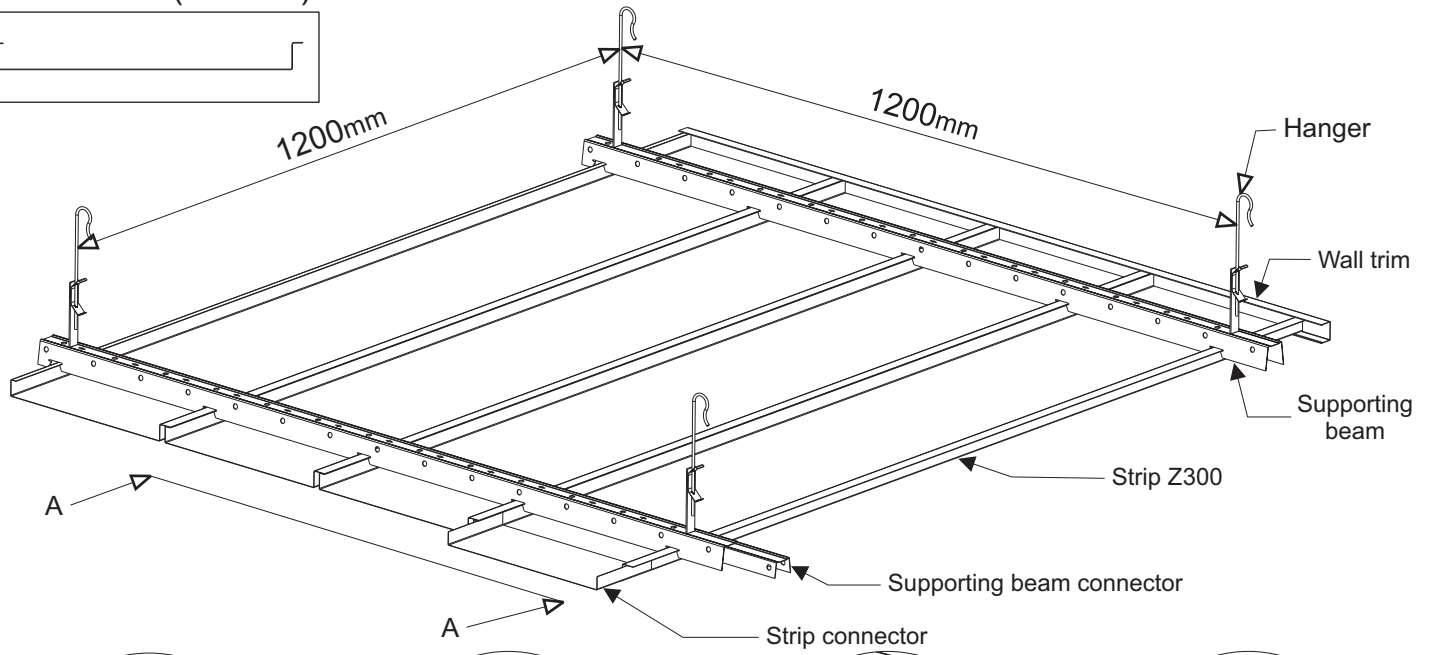
WALL TRIM DETAIL



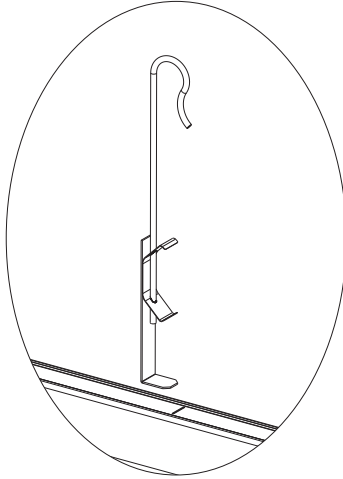
DETAIL A-A



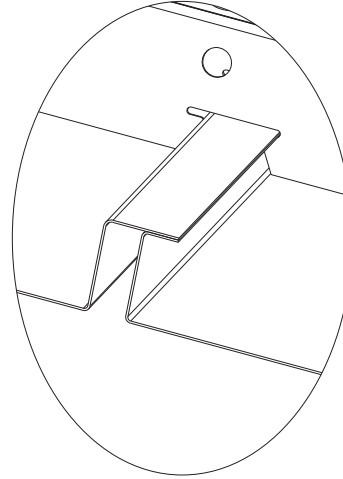
STRIP Z300(290+10)



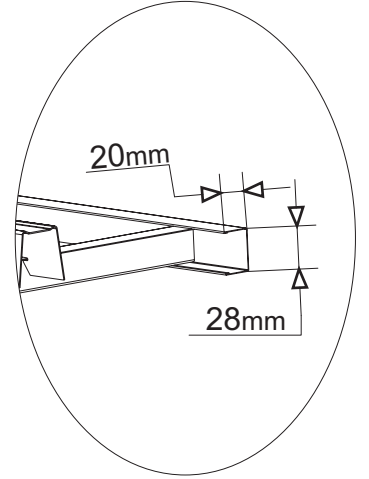
HANGER DETAIL OPTION 1:
PLAIN WIRE



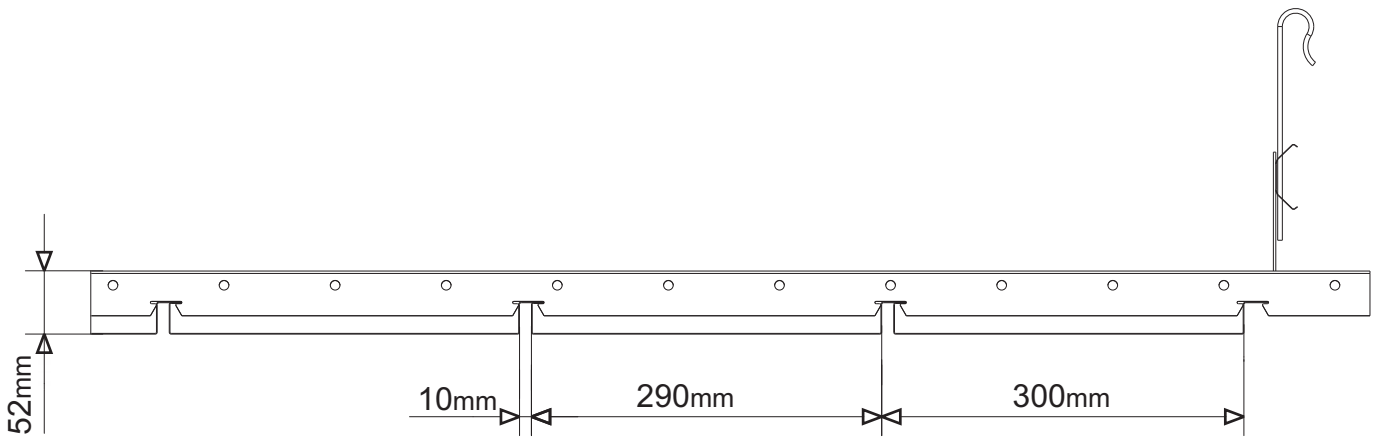
HANGER DETAIL OPTION 2:
SLOT-IN HANGER WITH
SPRING CLIP



ASSEMBLY DETAIL



WALL TRIM DETAIL



DETAIL A-A

